



**ENGINEERED FLEXIBLE PRODUCTS, INC.**

**Standard Series**



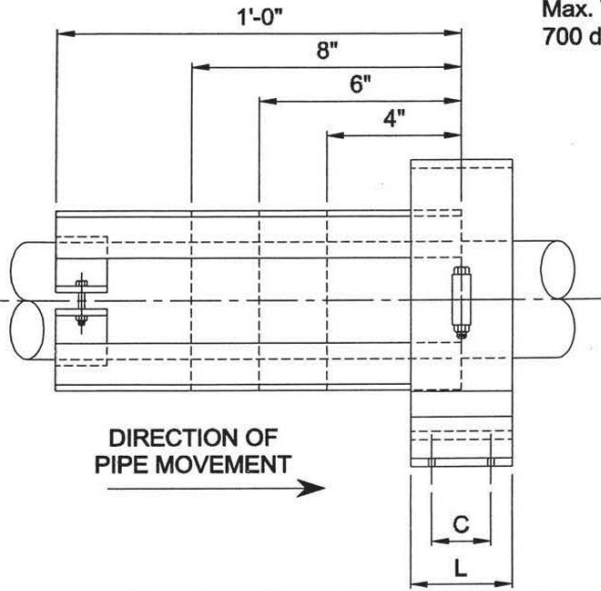
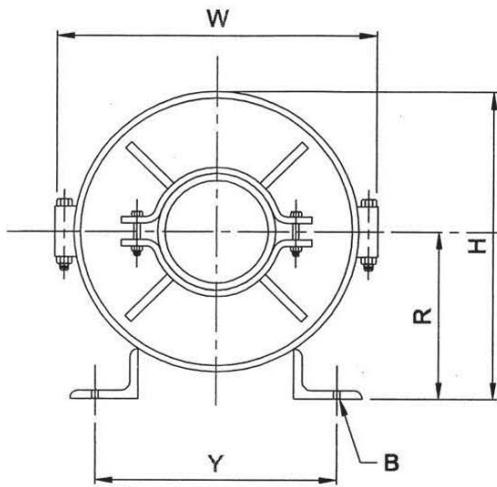
Pipe Size	Insulation Thickness Allowed For						
	1"	1-1/2"	2"	2-1/2"	3"	3-1/2"	4"
1/2"	004-104-4	004-104-4	004-205-4	004-208-4	004-308-4	004-308-4	004-410
3/4"	006-104-4	006-605-4	006-206-4	006-308-4	006-308-4	006-410-4	006-410
1"	010-104-4	010-605-4	010-206-4	010-308-4	010-308-4	010-410-4	010-410
1-1/4"	012-104-4	012-605-4	012-206-4	012-308-4	012-308-4	012-410-4	012-410
1-1/2"	014-105-4	014-105-4	014-206-4	014-308-4	014-308-4	014-410-4	014-410
2"	020-105-4	020-606-4	020-208-4	020-208-4	020-310-4	020-310-4	020-412
2-1/2"	024-106-4	024-106-4	024-208-4	024-208-4	024-310-4	024-310-4	024-412
3"	030-106-4	030-208-4	030-208-4	030-310-4	030-310-4	030-412-4	030-412
4"	040-108-4	040-108-4	040-210-4	040-210-4	040-312-4	040-312-4	040-414
5"	050-110-4	050-110-4	050-110-4	050-312-4	050-312-4	050-314-6	050-416
6"	060-110-4	060-110-4	060-212-4	060-212-4	060-314-6	060-416-6	060-416
8"	080-112-4	080-112-4	080-214-6	080-316-6	080-316-6	080-418-6	080-418
10"	100-216-6	100-216-6	100-216-6	100-318-6	100-318-6	100-420-6	100-420
12"	120-218-6	120-218-6	120-218-6	120-320-6	120-320-6	120-422-8	120-422
14"	140-220-6	140-220-6	140-220-6	140-220-6	140-322-8	140-322-8	140-424
16"	160-222-8	160-222-8	160-222-8	160-222-8	160-324-8	160-324-8	160-426
18"	180-224-8	180-224-8	180-224-8	180-224-8	180-326-8	180-326-8	180-428
20"	200-226-8	200-226-8	200-226-8	200-226-8	200-330-8	200-330-8	200-330
24"	240-230-8	240-230-8	240-230-8	240-230-8	-----	-----	-----

Material: Carbon Steel  
Finish: Black Shop Paint

Consult factory for larger sizes, longer axial movement, or special paint.

**Copper Tube Applications**  
Require dielectric spacers.  
Add – C to end of part # when ordering.

- Special pipe guides not listed are available upon request.
- Use 1" thickness column when no insulation is required.



Max. Temp.  
700 degrees

Note: All fractions to the nearest 1/8" / No. sizes 14" & up supplied with 4 bolts.

4" thru 12" Housings come with 4" axial  
14" thru 20" Housings come with 6" axial  
22" & Up come with 8" axial standard

NO. SIZE	WEIGHT (APPROX.) LBS. EACH	DIMENSIONS IN INCHES						
		H	R	W	Y	B	C	L
04	6	5 7/8	3 1/2	6 1/8	4 1/2	5/8	1 3/4	3
05	7	6 3/4	4	7 1/8	4 13/16	5/8	1 3/4	3
06	8	7 5/8	4 3/8	8 1/8	5 7/16	5/8	1 3/4	3
08	10	9 1/4	5 1/4	10 1/8	6 1/2	5/8	1 3/4	3
10	15	11 5/8	6 1/4	12 1/8	7 1/8	5/8	2 3/4	4
12	20	13 3/8	7	14 1/8	8 3/8	5/8	2 3/4	4
14	40	14 7/8	7 7/8	16 1/8	9 7/8	3/4	4	6
16	48	16 7/8	8 7/8	18 1/8	10 7/8	3/4	4	6
18	54	18 5/8	9 5/8	20 1/8	11 7/8	3/4	4	6
20	61	20 7/8	10 7/8	22 1/8	11 3/4	3/4	4	6
22	89	23 1/8	12 1/8	24 1/8	14 1/2	7/8	6	8
24	102	24 7/8	12 7/8	26 1/8	15 1/2	7/8	6	8
26	110	27 5/8	14 5/8	28 1/8	17 1/8	1 1/8	6	8
30	150	31 3/16	16 3/16	32 1/8	19 1/4	1 1/8	6	8



STANDARD SERIES GUIDE

Approved By:	Drawn By:	Date:
	M.Fenes	03/01/13
Scale:	Lateral Movement:	Tolerance:
NONE		

Material:	ASTM A-36 CARBON STEEL
Finish:	BLACK PAINT
Drawing Number:	55STD0001
Revision:	05