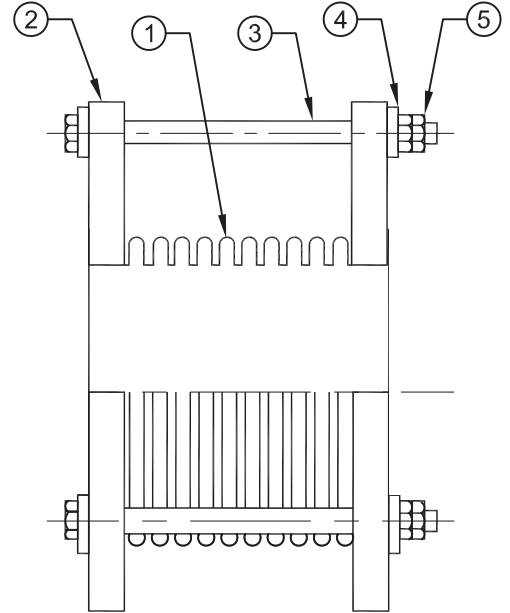
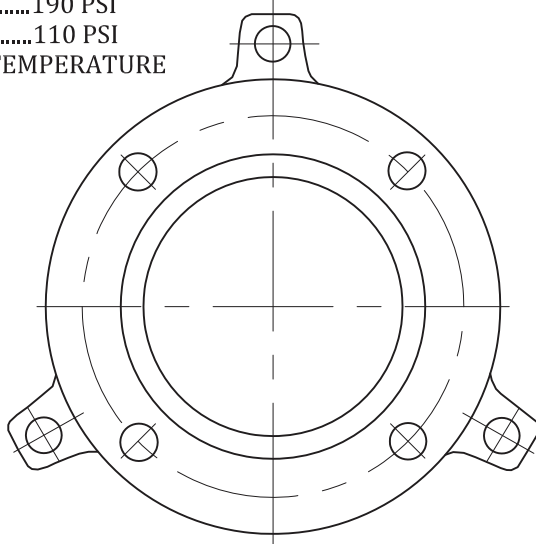


STYLE BPC
MULTI-PLY BELLOWS
**PUMP CONNECTOR/
EXPANSION JOINT**

LIST OF MATERIALS		
ITEM	PART NAME	MATERIAL
1	BELLOWS (2 PLY)	T304 S.S.
2	ANSI 150# FLANGE	CARBON STEEL
3	TIE RODS	AISI-1020
4	GROMMET	NEOPRENE
5	NUTS	AISI-1020

OPERATING CONDITIONS:

150°.....225 PSI
212°.....190 PSI
480°*.....110 PSI
*MAXIMUM TEMPERATURE



DIMENSIONAL DATA (INCHES)

QTY.	SIZE		FACE TO FACE	MAX. COMP.	MAX. EXT.	MAX. LAT.	NO OF TIE RODS	WEIGHT LBS.	NOTES
	INCH.	MM.							
	2"	50mm	4-3/8"	0.50"	0.125"	0.125"	3	11	
	2-1/2"	65	4-3/8"	0.50"	0.125"	0.125"	3	15	
	3"	80	4-3/8"	0.50"	0.125"	0.125"	3	17	
	4"	100	4-5/8"	0.50"	0.125"	0.125"	3	26	
	5"	125	4-7/8"	0.50"	0.125"	0.125"	3	32	
	6"	150	5"	0.50"	0.125"	0.125"	3	37	
	8"	200	5-7/8"	0.50"	0.125"	0.125"	3	65	
	10"	250	6-1/4"	0.50"	0.125"	0.125"	3	86	
	12"	300	6-5/8"	0.50"	0.125"	0.125"	3	112	


CUSTOMER: _____

PROJECT: _____

ENGINEER: _____

PURCHASE ORDER: _____



REV.	DATE
	
5331 Quam Ave., N.E. St. Michael, MN 55376 TEL:763-201-2151 FAX:763-201-2134 www.engineeredflex.com	
STYLE BPC MULTI-PLY BELLOWS EXPANSION JOINT WITH TIE RODS	
DRAWN BY: AD	DATE: 12/30/2010
APPROVED:	DATE:
SCALE: NONE	DRAWING NUMBER: BPC