

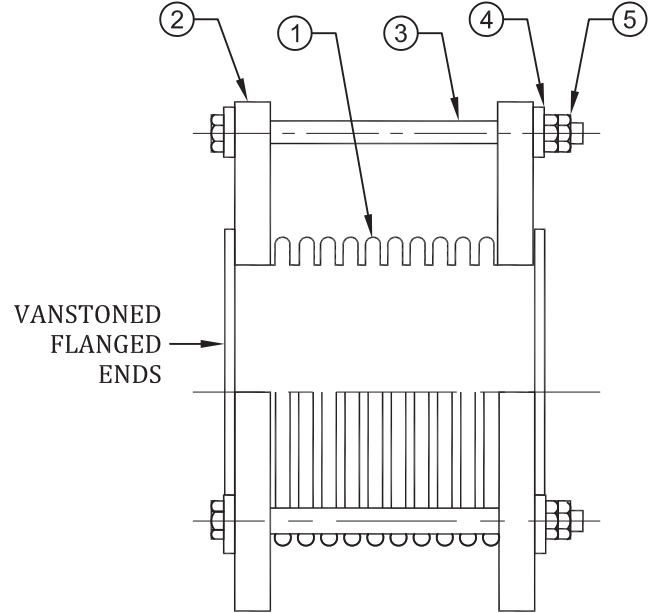
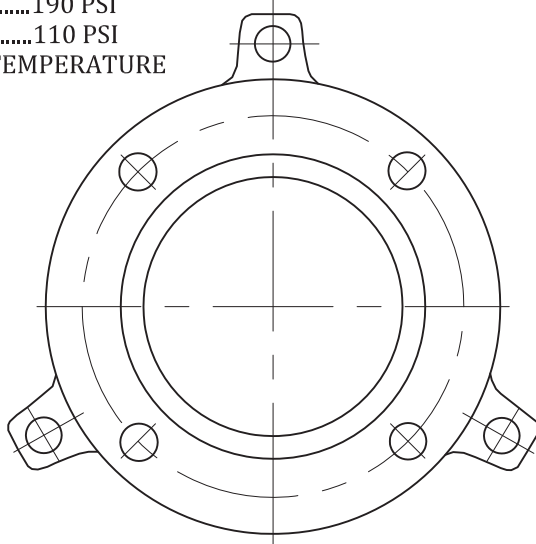
STYLE BPCR
MULTI-PLY BELLOWS
**PUMP CONNECTOR/
 EXPANSION JOINT**

VANSTONED FLANGED ENDS
 (ALL WETTED SURFACES STAINLESS STEEL)

LIST OF MATERIALS		
ITEM	PART NAME	MATERIAL
1	BELLOWS (2 PLY)	T304 S.S.
2	ANSI 150# FLANGE	CARBON STEEL
3	TIE RODS	AISI-1020
4	GROMMET	NEOPRENE
5	NUTS	AISI-1020

OPERATING CONDITIONS:

150°.....225 PSI
 212°.....190 PSI
 480°*.....110 PSI
 *MAXIMUM TEMPERATURE



DIMENSIONAL DATA (INCHES)									
QTY.	SIZE		FACE TO FACE	MAX. COMP.	MAX. EXT.	MAX. LAT.	NO OF TIE RODS	WEIGHT LBS.	NOTES
	INCH.	MM.							
	2"	50mm	6	0.9	0.2	0.66	3	12	
	2-1/2"	65	6	0.9	0.2	0.53	3	16	
	3"	80	6	0.9	0.2	0.45	3	18	
	4"	100	6	1.0	0.2	0.39	3	28	
	5"	125	6	1.0	0.2	0.31	3	34	
	6"	150	6	1.0	0.2	0.26	3	43	
	8"	200	6	1.0	0.2	0.22	3	63	
	10"	250	8	1.4	0.2	0.33	3	93	
	12"	300	8	1.4	0.2	0.26	3	120	
	14"	350	8	1.4	0.2	0.26	3	160	
	16"	400	8	0.75	0.3	0.13	3	200	
	18"	450	8	1	0.5	0.13	3	211	


CUSTOMER: _____

PROJECT: _____

ENGINEER: _____

PURCHASE ORDER: _____



REV.	DATE
 ENGINEERED FLEXIBLE PRODUCTS, INC.	
5331 Quam Ave., N.E. St. Michael, MN 55376 TEL:763-201-2151 FAX:763-201-2134 www.engineeredflex.com	
STYLE BPCR MULTI-PLY BELLOWS EXPANSION JOINT WITH TIE RODS	
DRAWN BY: AD	DATE: 12/30/2010
APPROVED:	DATE:
SCALE: NONE	DRAWING NUMBER: BPCR