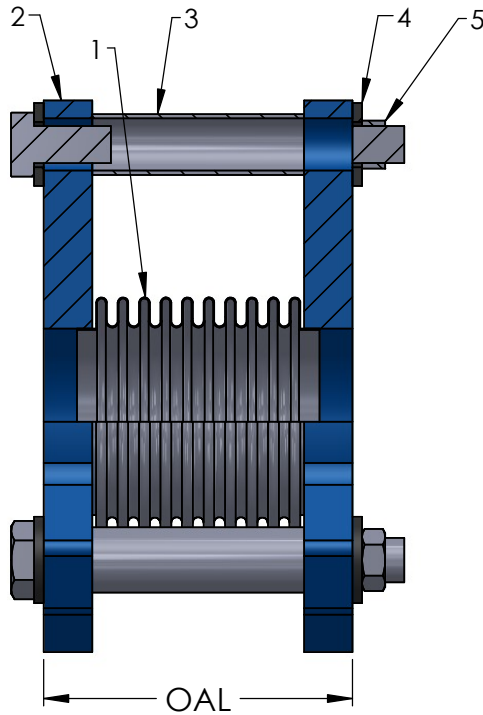
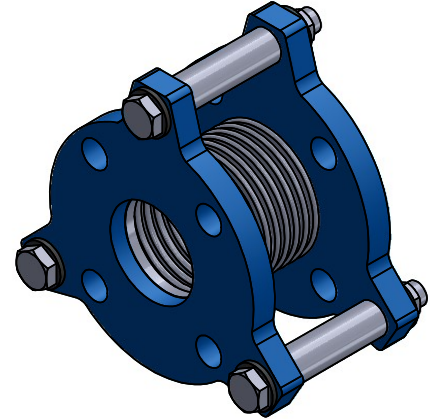


Model BPC Multi-Ply Bellows Exp. Joint



LIST OF MATERIALS		
ITEM	PART NAME	MATERIAL
1	Bellows (2-Ply)	T304
2	ANSI 150# Flange	Carbon Steel
3	Tie Rods	ANSI-1020
4	Grommet	Neoprene
5	Nuts	ANSI-1020



QTY.	PART NUMBER	SIZE		OAL	MAX COMP.	MAX EXT.	MAX LAT.	NUMBER OF TIE RODS	WEIGHT (lbs)	NOTES
		(IN)	(MM)							
	BPC0200FLG	2"	50	4-3/8"	0.50"	0.125"	0.125"	3	11	
	BPC0250FLG	2-1/2"	65	4-3/8"	0.50"	0.125"	0.125"	3	15	
	BPC0300FLG	3"	80	4-3/8"	0.50"	0.125"	0.125"	3	17	
	BPC0400FLG	4"	100	4-5/8"	0.50"	0.125"	0.125"	3	26	
	BPC0500FLG	5"	125	4-7/8"	0.50"	0.125"	0.125"	3	32	
	BPC0600FLG	6"	150	5"	0.50"	0.125"	0.125"	3	37	
	BPC0800FLG	8"	200	5-7/8"	0.50"	0.125"	0.125"	3	65	
	BPC1000FLG	10"	250	6-1/4"	0.50"	0.125"	0.125"	3	86	
	BPC1200FLG	12"	300	6-5/8"	0.50"	0.125"	0.125"	3	112	

**FIXED FLANGED ENDS
(ALL WETTED SURFACES STAINLESS STEEL)**

OPERATING CONDITIONS	
150°F	225 PSI
212°F	190 PSI
480°F	110 PSI
480°F Maximum Working Temp.	
Rated For Full Vacuum	

NOTES:

NSF 372 - LEAD FREE: The wetted surface of this product contacted by water contains less than one quarter of one percent (0.25%) of lead by weight. Material complies with state codes and standards where applicable, requiring reduced lead content.

REV.	DRAWN BY: CL	Date: 7/2/2020
		5331 Quam Ave NE St. Michael, MN 55376 Phone: 763-201-2151 Fax: 763-201-2134 Email: sales@engineeredflex.com
		Customer:
Project:		
Style: BPC Series - Multi-Ply Bellows Exp. Joint		
SCALE: NONE	DRAWING NUMBER:	