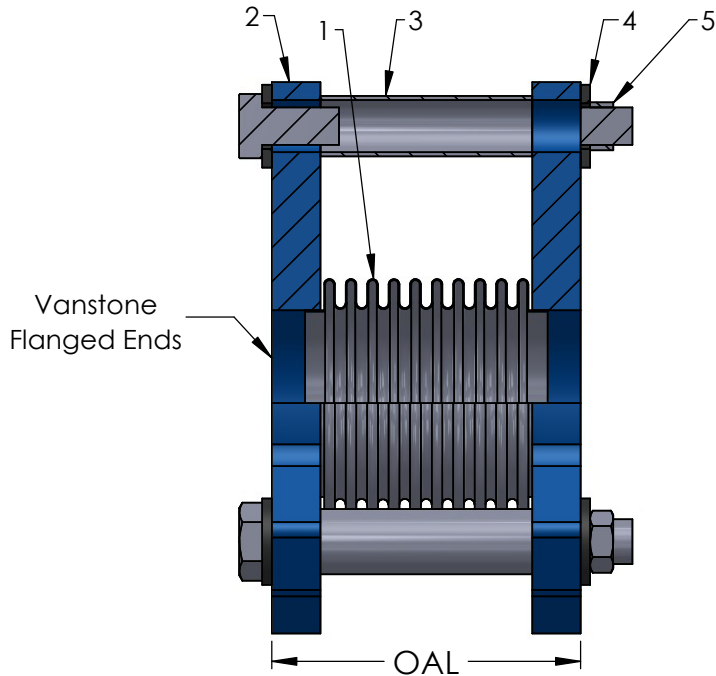
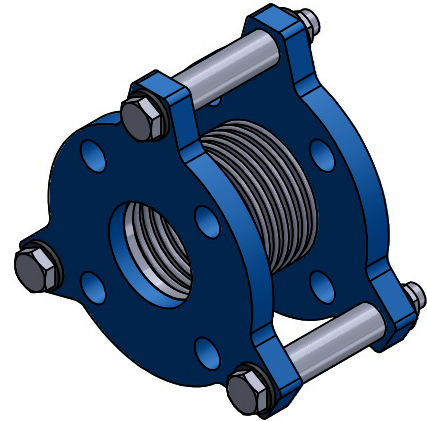


Model BPCR Multi-Ply Bellows Exp. Joint



LIST OF MATERIALS		
ITEM	PART NAME	MATERIAL
1	Bellows (2-Ply)	T304
2	ANSI 150# Flange	Carbon Steel
3	Tie Rods	ANSI-1020
4	Grommet	Neoprene
5	Nuts	ANSI-1020



QTY.	PART NUMBER	SIZE		OAL	MAX COMP.	MAX EXT.	MAX LAT.	MAX ANG.	NUMBER OF TIE RODS	WEIGHT (lbs)	NOTES
		(IN)	(MM)								
	BPCR0200FLG	2"	50	6"	0.9"	0.2"	0.66"	12.5°	3	12	
	BPCR0250FLG	2-1/2"	65	6"	0.9"	0.2"	0.53"	11°	3	16	
	BPCR0300FLG	3"	80	6"	0.9"	0.2"	0.45"	10°	3	18	
	BPCR0400FLG	4"	100	6"	1.0"	0.2"	0.39"	8°	3	28	
	BPCR0500FLG	5"	125	6"	1.0"	0.2"	0.31"	7°	3	34	
	BPCR0600FLG	6"	150	6"	1.0"	0.2"	0.26"	7°	3	43	
	BPCR0800FLG	8"	200	6"	1.0"	0.2"	0.22"	4.5°	3	63	
	BPCR1000FLG	10"	250	8"	1.4"	0.2"	0.33"	3.5°	3	93	
	BPCR1200FLG	12"	300	8"	1.4"	0.2"	0.26"	3.5°	3	120	
	BPCR1400FLG	14"	350	8"	1.4"	0.2"	0.26"	3.5°	3	160	
	BPCR1600FLG	16"	400	8"	0.75"	0.3"	0.13"	3.5°	3	200	
	BPCR1800FLG	18"	450	10"	1"	0.5"	0.13"	3.5°	3	211	

**VANSTONE FLANGED ENDS
(ALL WETTED SURFACES STAINLESS STEEL)**

OPERATING CONDITIONS	
150°F	225 PSI
212°F	190 PSI
480°F	110 PSI
480°F Maximum Working Temp.	
Rated For Full Vacuum	

NOTES:

NSF 372 - LEAD FREE: The wetted surface of this product contacted by water contains less than one quarter of one percent (0.25%) of lead by weight. Material complies with state codes and standards where applicable, requiring reduced lead content.

REV.	DRAWN BY: CL	Date: 7/2/2020
		5331 Quam Ave NE St. Michael, MN 55376 Phone: 763-201-2151 Fax: 763-201-2134 Email: sales@engineeredflex.com
		Customer:
Project:		
Style: BPCR Series - Multi-Ply Bellows Exp. Joint		
SCALE: NONE	DRAWING NUMBER:	